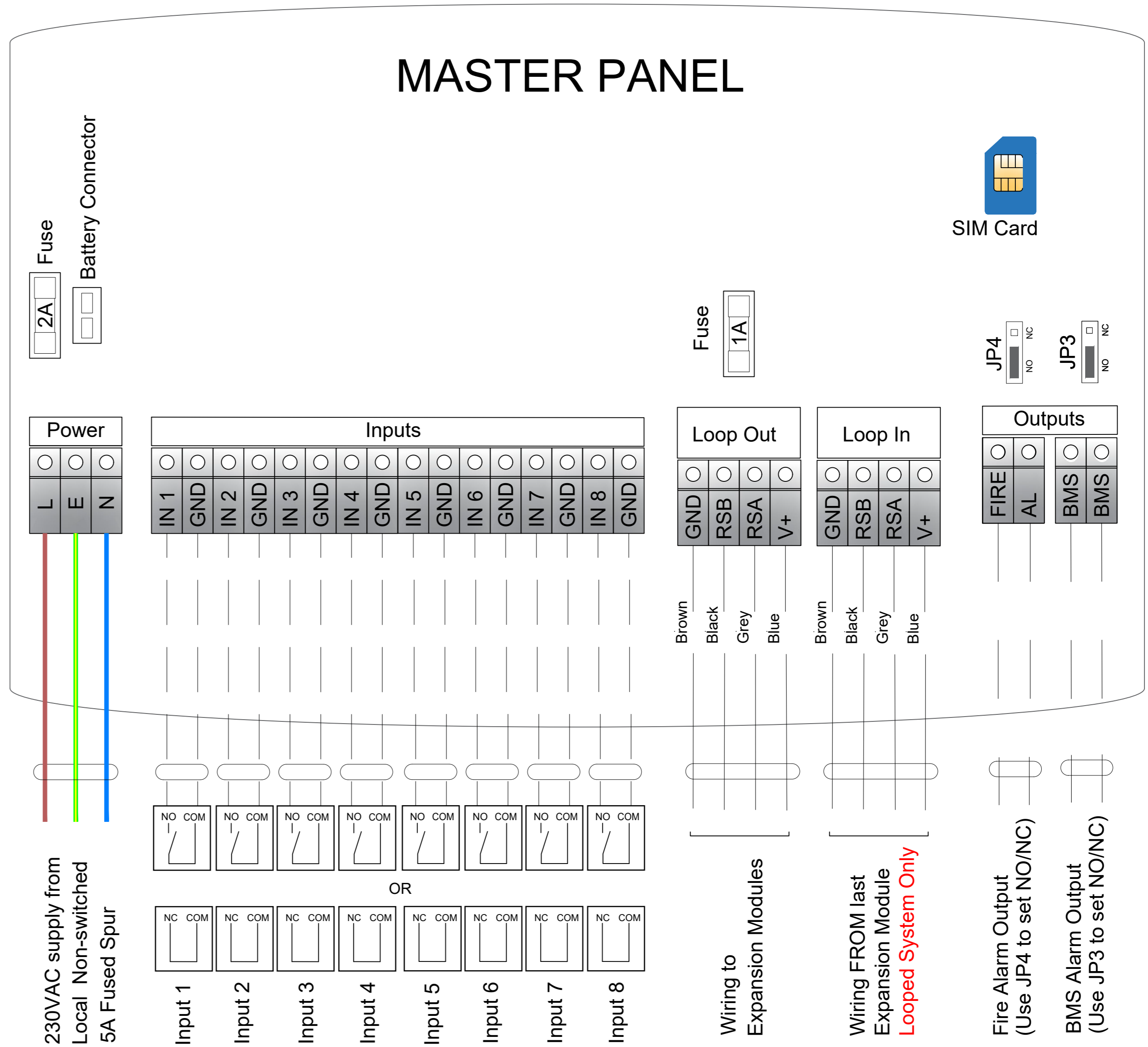
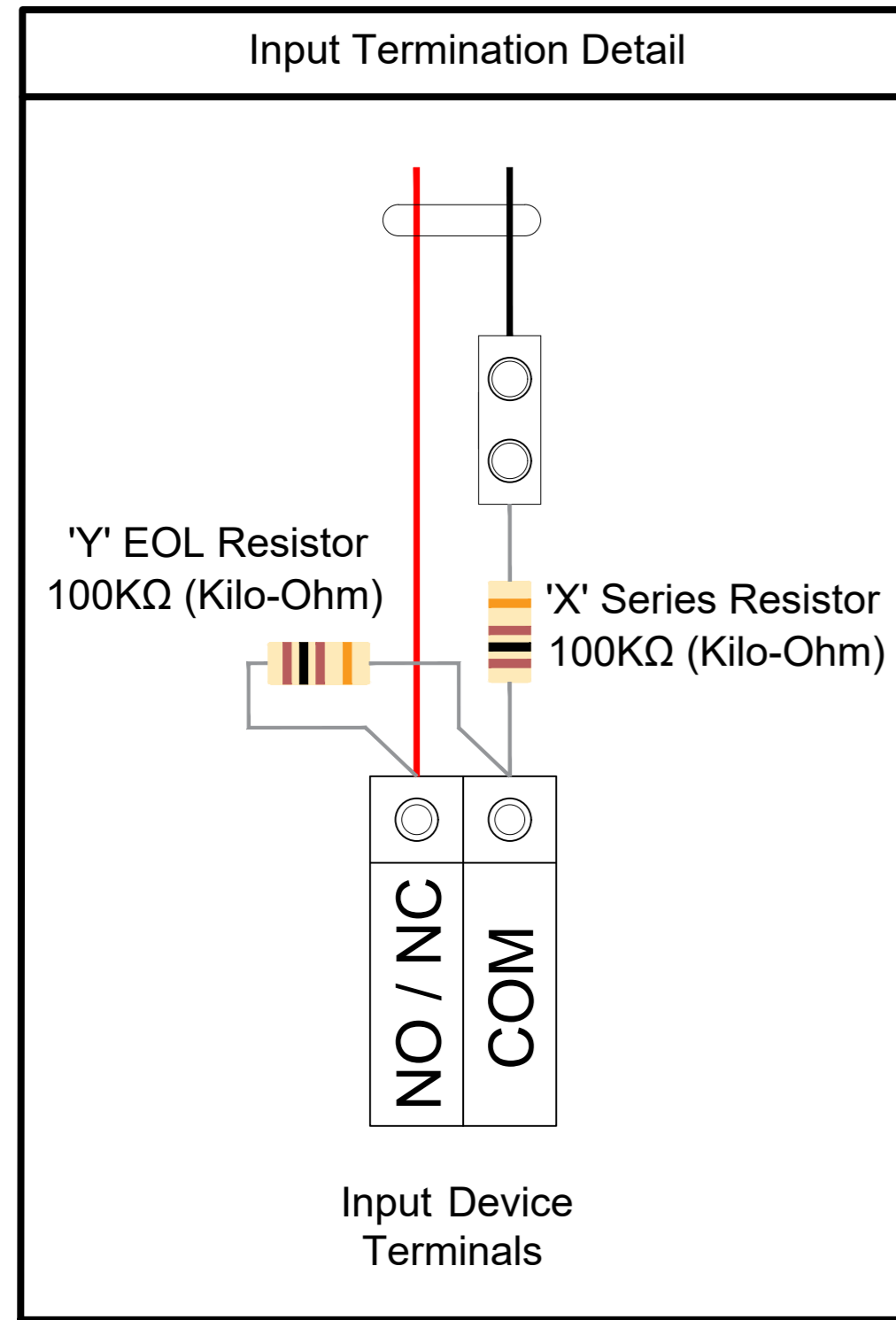



MASTER PANEL



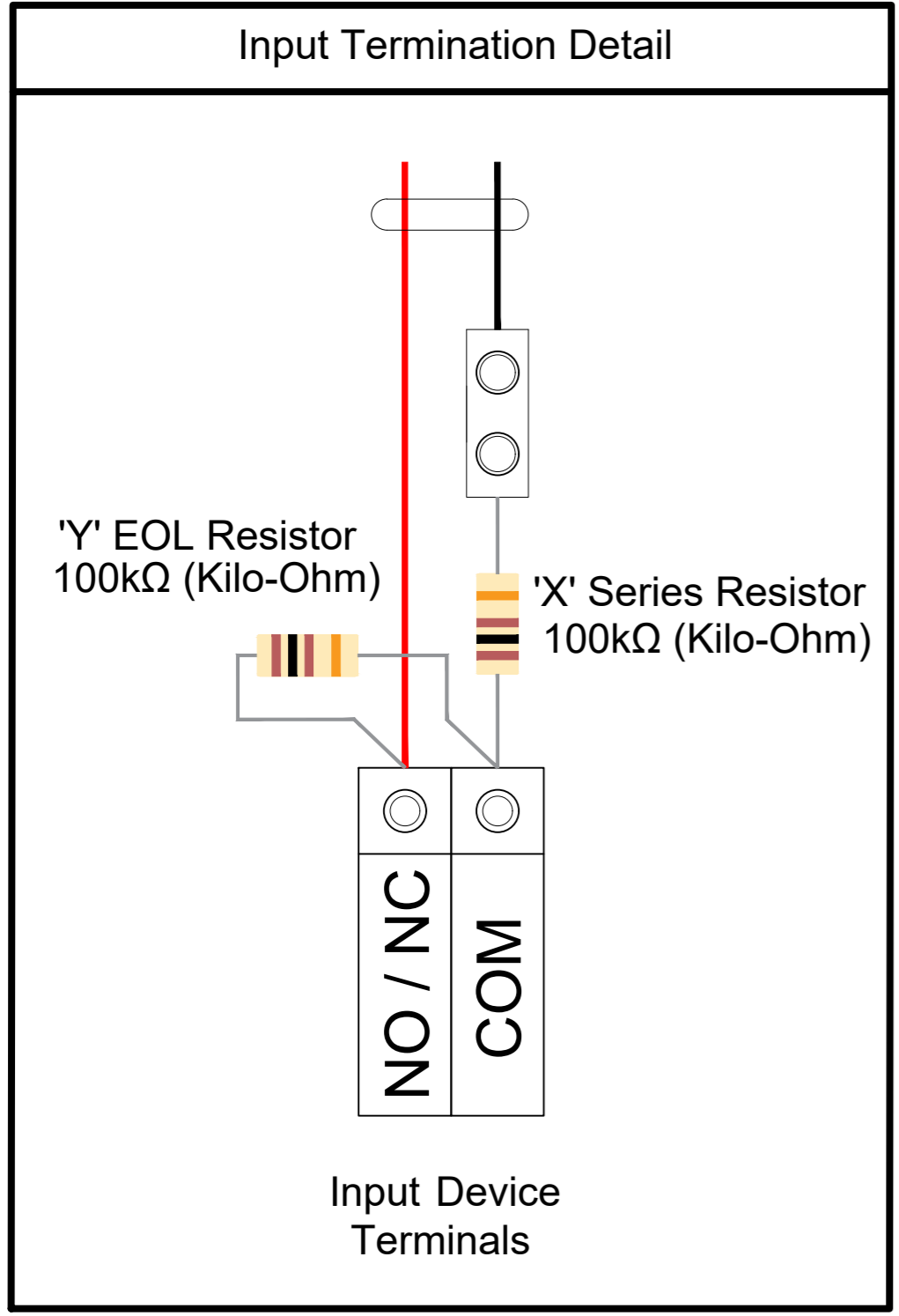
Cable Size:
2 Core FP200 1/1.5mm² for inputs
4 Core FP200 1/1.5mm² for radial/looped circuit

EXPANSION MODULE

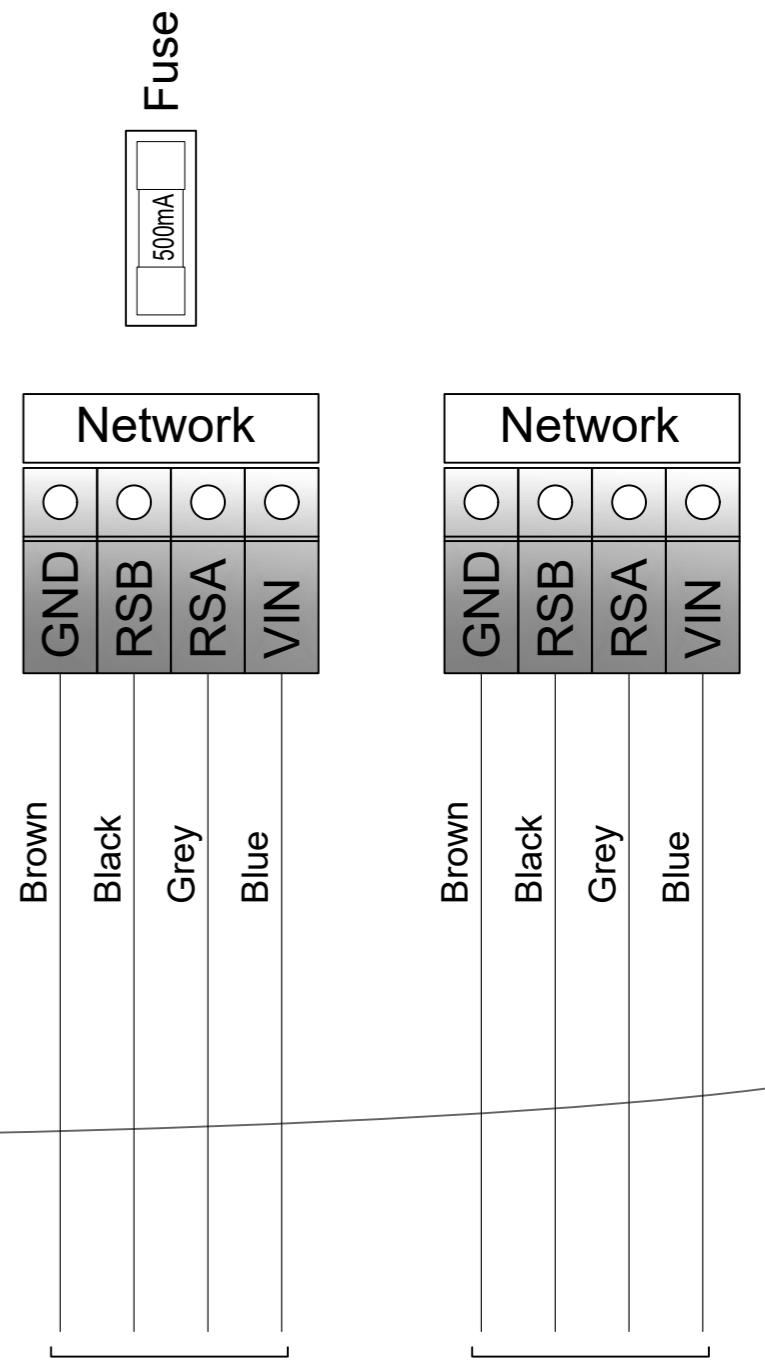
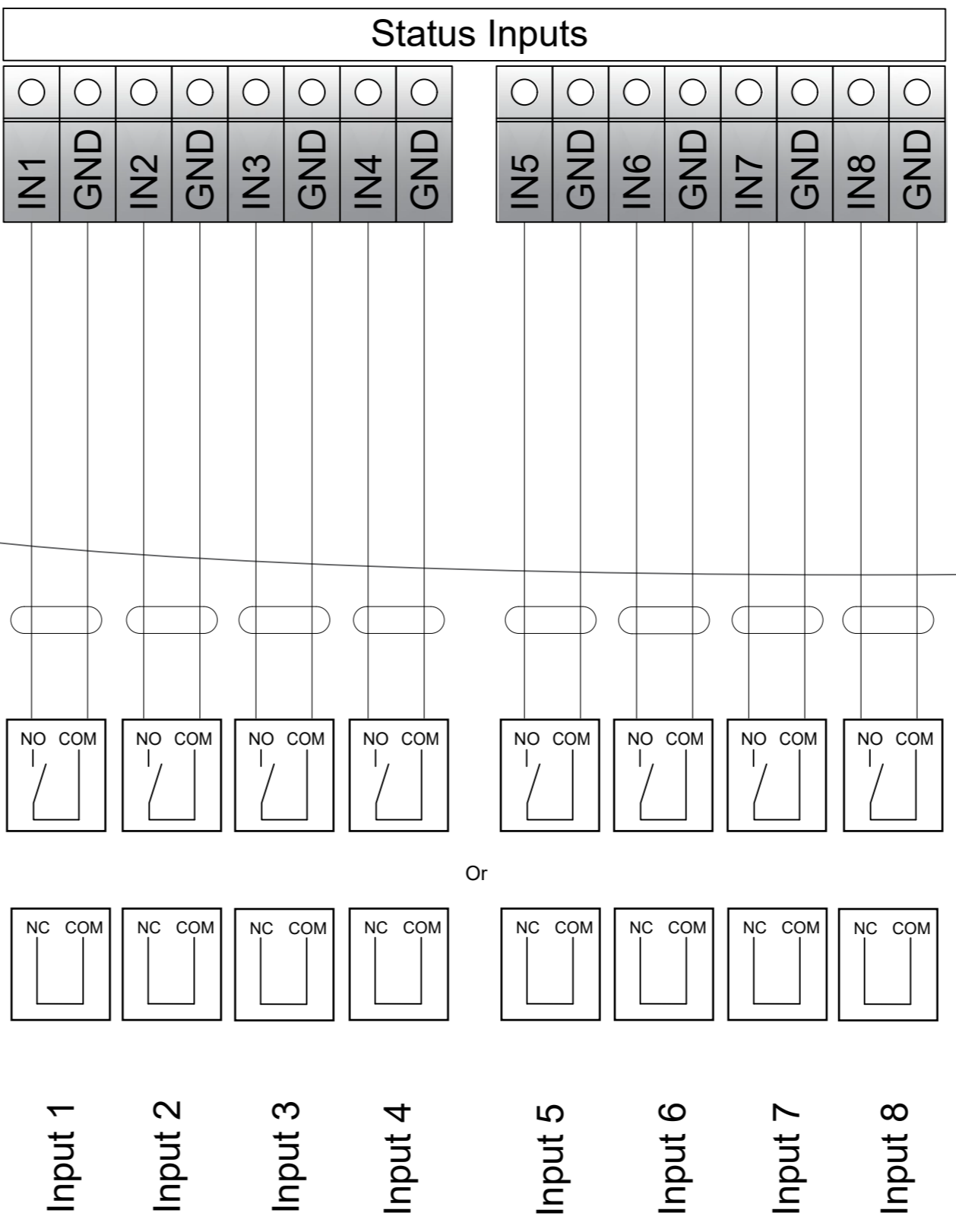
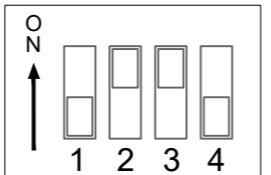
 SW2 Termination Toggle

Radial System - Last Expansion module must have SW2 switched ON (to Left)

Looped System - All Termination Toggle SW2 Switched Off (to the Right)



Address Switch



Wiring FROM Master unit / Expansion Module

Wiring TO next Expansion Module Or If last expansion module and wired as a looped system TO Master Panel

Cable Size:
2 Core FP200 1/1.5mm² for inputs
4 Core FP200 1/1.5mm² for radial/looped circuit

Refer to Installation, Operational & Maintenance manual for 'Addressing' and connecting expansion modules

FloWatch 8 Way Expansion Module
Wiring Diagram

Revision 1