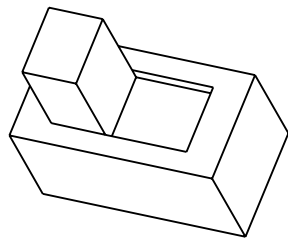
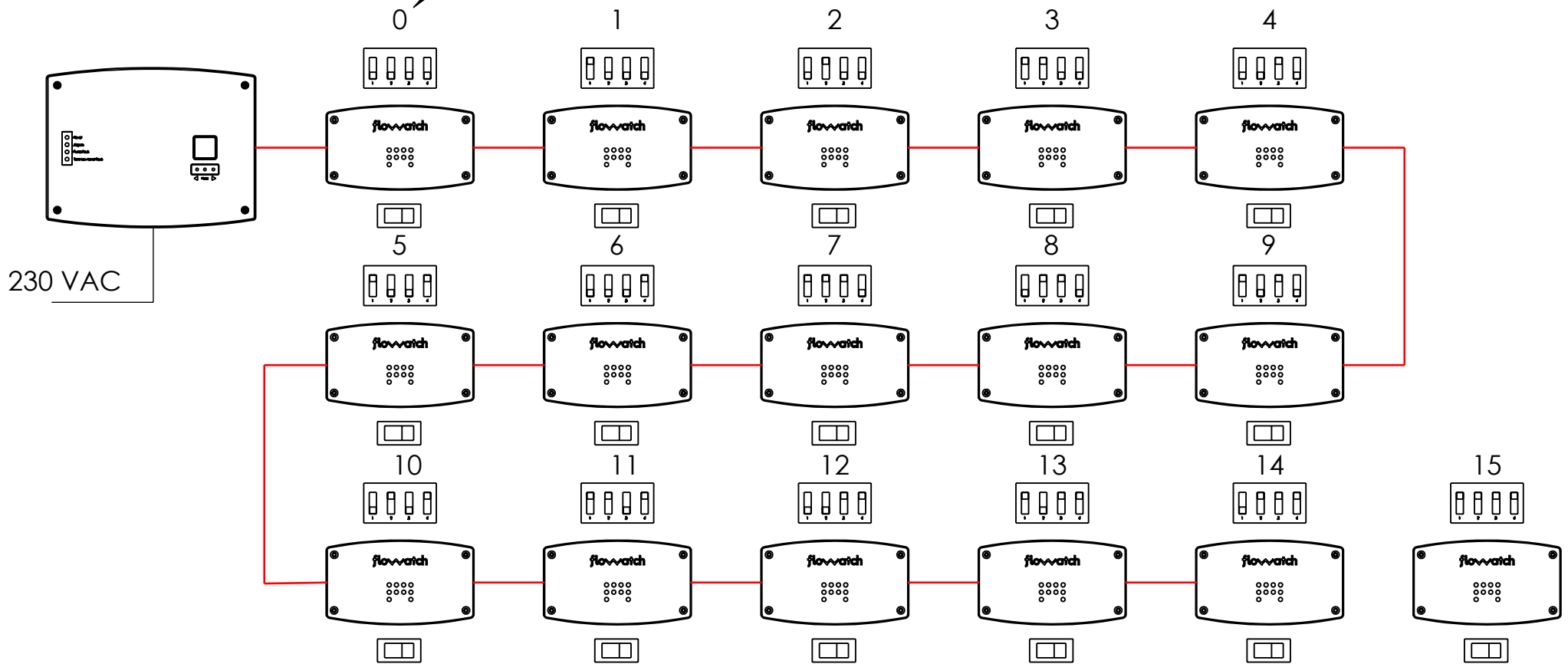


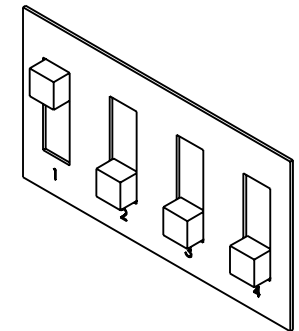
Expansion address in sequential order



3D View of Expansion

Termination Toggle (Last modules switched left)

— FP200 4 + E 1.5mm
(Point to Point Wiring)



3D View of Address switch

Expansion 1