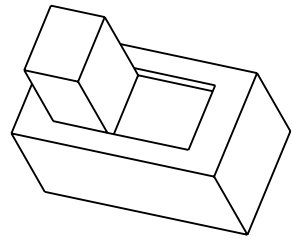
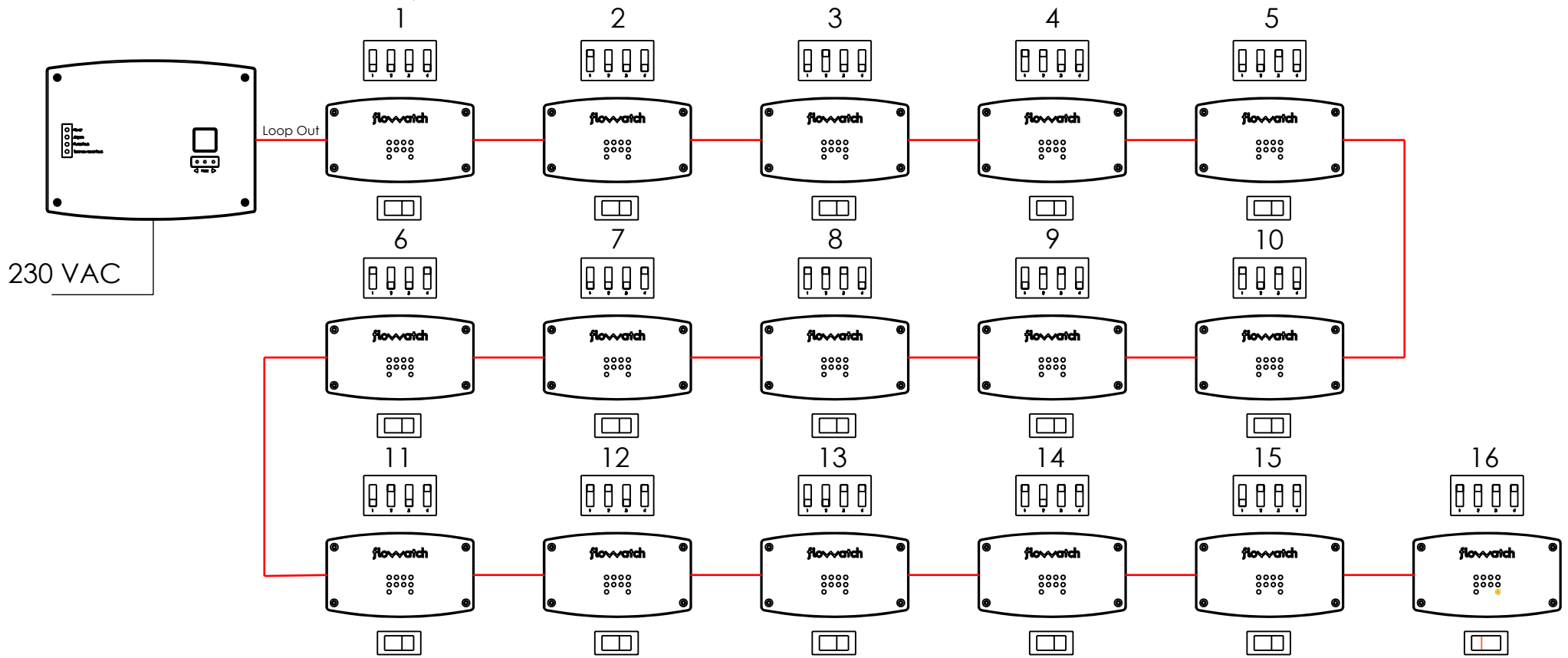


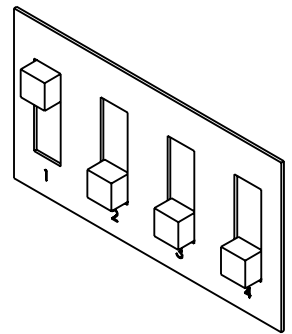
Expansion address in sequential order



3D View of last Expansion Termination Toggle

— FP200 4 + E 1.5mm
(Point to Point Wiring)

RADIAL CIRCUIT



3D View of Address switch
Expansion 2