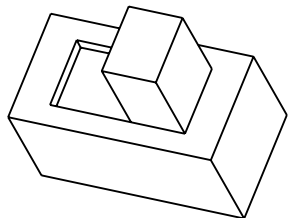
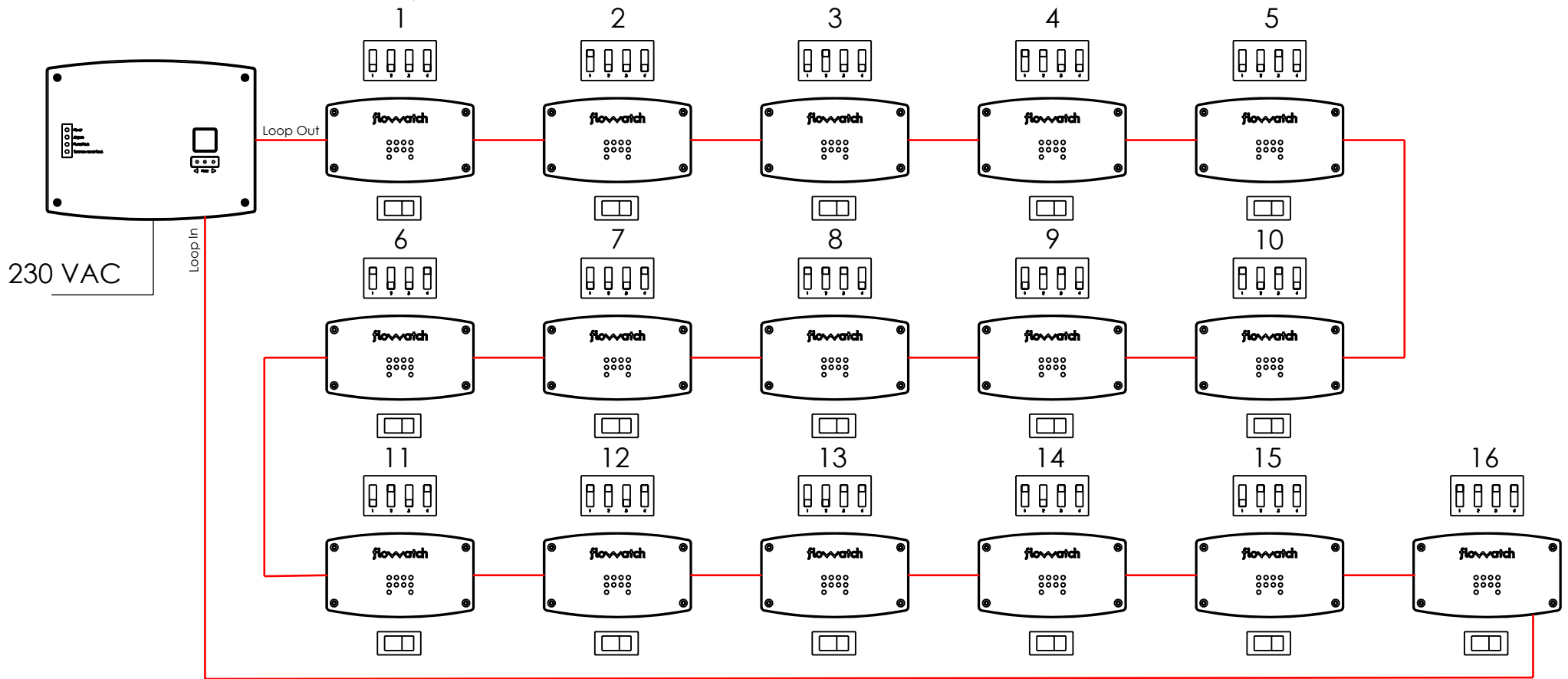


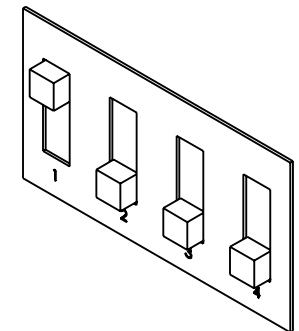
Expansion address in sequential order



3D View of Expansion Termination Toggles

— FP200 4 + E 1.5mm

# LOOPED CIRCUIT



3D View of Address switch  
Expansion 2