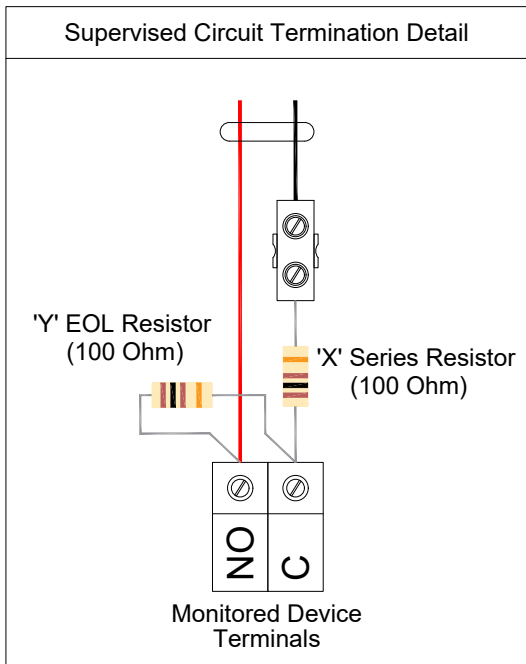
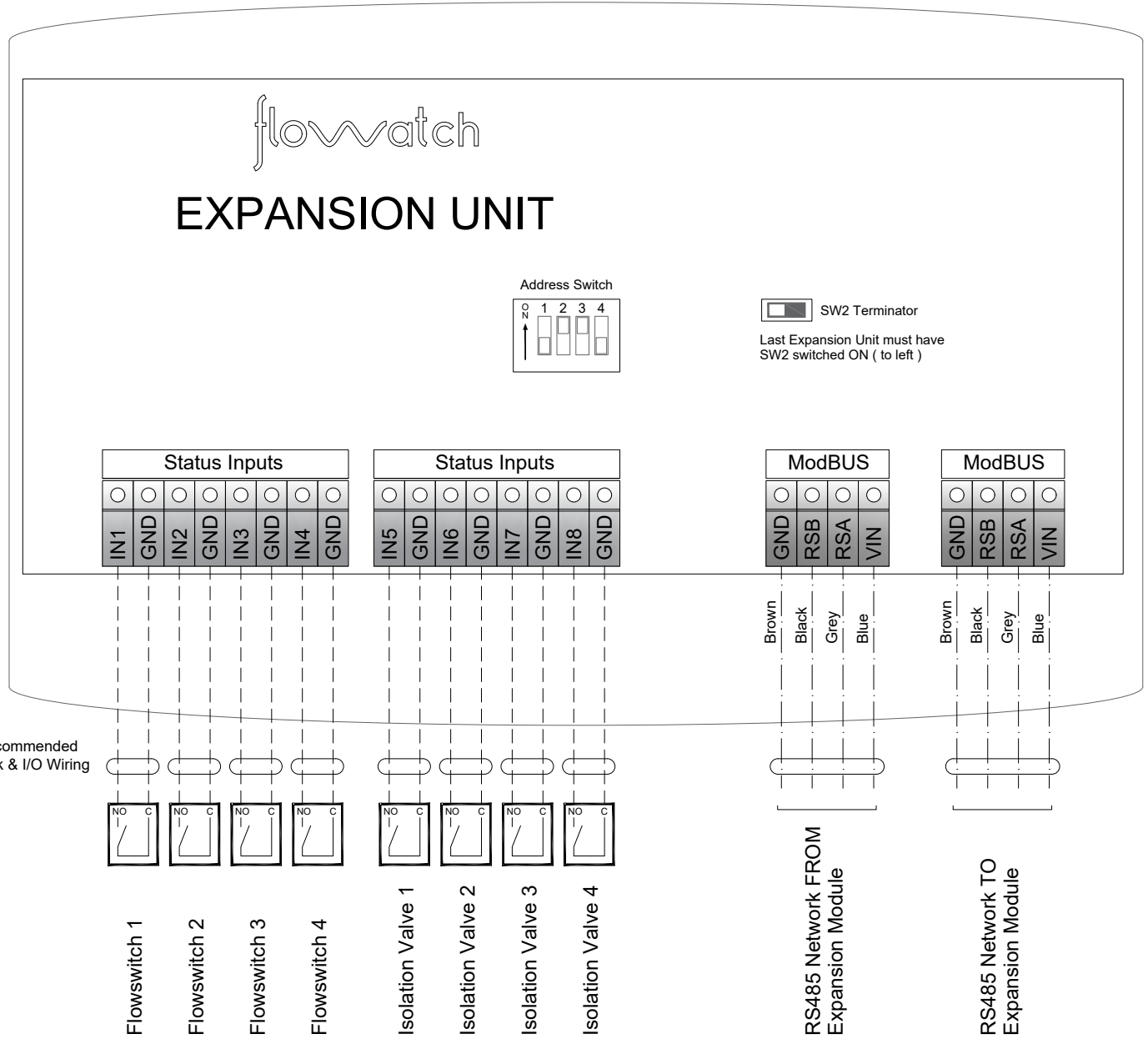
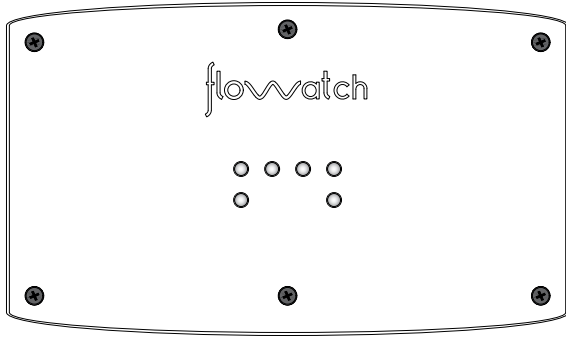


IF IN DOUBT ASK



Notes:

Issue	Date	Detail
A		
B		
C		
D		

Commercial In Confidence
Title
FloWatch Monitoring System Slave Unit Wiring Schematic

Drawn:	E.D.S.
Checked:	A.W.
Date:	20-02-20
Project Ref.	M****

Client:	****Client Name****
Project:	****Location1**** ****Location2****
Drg. No.	***Drawing No***